

SS

Description

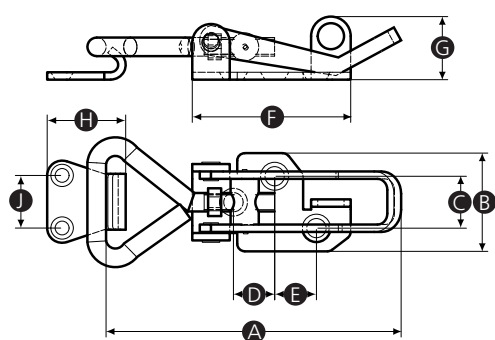
Stainless steel adjustable toggle latch. Complete with catchplate.

Material

Stainless steel 304

Finish

Polished



Part No.	A	B	C	D	E	F	G	H	I	J	Hole size
15430U	65-79	26.5	14	11	11	42	17	21	-	14	6
15940P	115-125	31.5	20	18	15	53	21	30	-	20	5