

Material

Glass reinforced nylon

Rod material

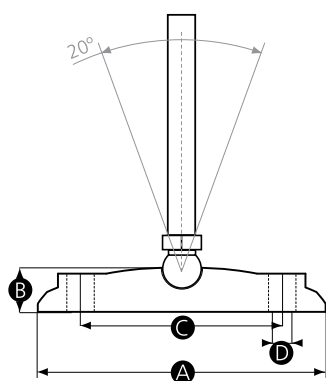
Zinc plated steel as standard. Stainless steel on request (MOQs apply).

Standard colour

Black. Other RAL colours available on request (MOQs apply).

Options

Many more base and rod size combinations available on request. Add a **Model 01 ASP** Anti Slip Plate to provide extra grip and anti-vibration.



Part No.	A	B	C	D	Thread size	Thread length (mm)	Max load (kg)
12771P	60	29	40	6	M10	70	470
12772W	60	29	40	6	M10	125	470
12770T	60	29	40	6	M8	80	350
12419P	80	29	54	9	M12	100	750
12420W	80	29	54	9	M12	150	750
12773S	80	29	54	9	M16	100	900
12421S	80	29	54	9	M16	150	900
12775V	100	29	74	9	M16	100	900